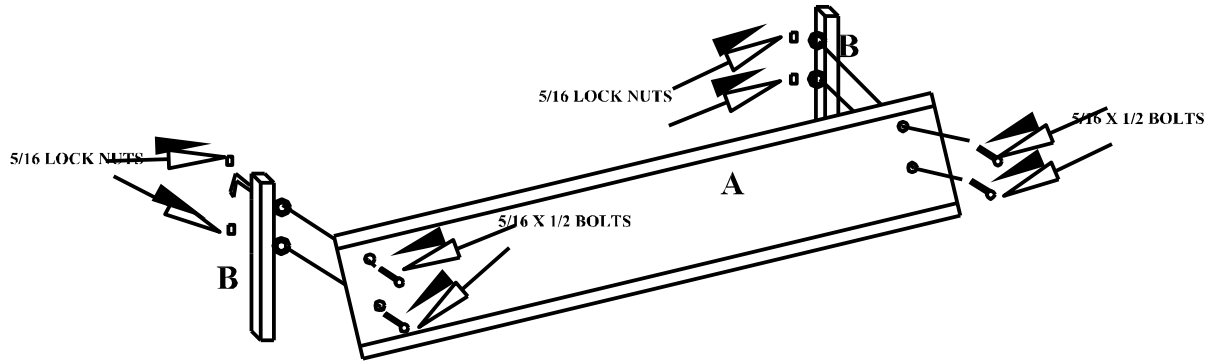


# ASSEMBLY INSTRUCTIONS FOR #743 CHARIOT

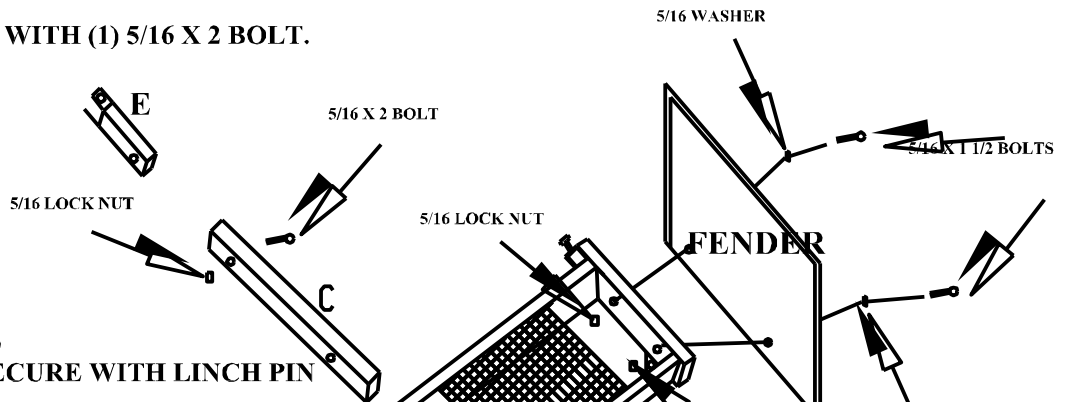


## STEP 1

ATTACH 2 (B'S) TO A USING (4) 5/16 X 1/2 BOLTS AND LOCK NUTS  
NOTE: DO NOT TIGHTEN BOLTS UNTIL LATER

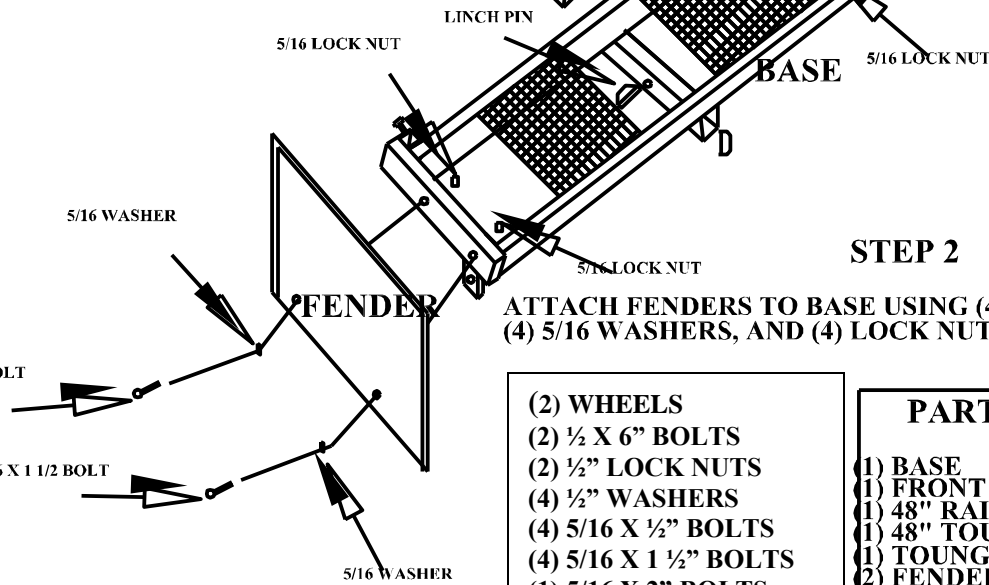
## STEP 4

ATTACH (E) TO (C) WITH (1) 5/16 X 2 BOLT.



## STEP 3

SLIDE (C) INTO (D) AND SECURE WITH LINCH PIN



## STEP 2

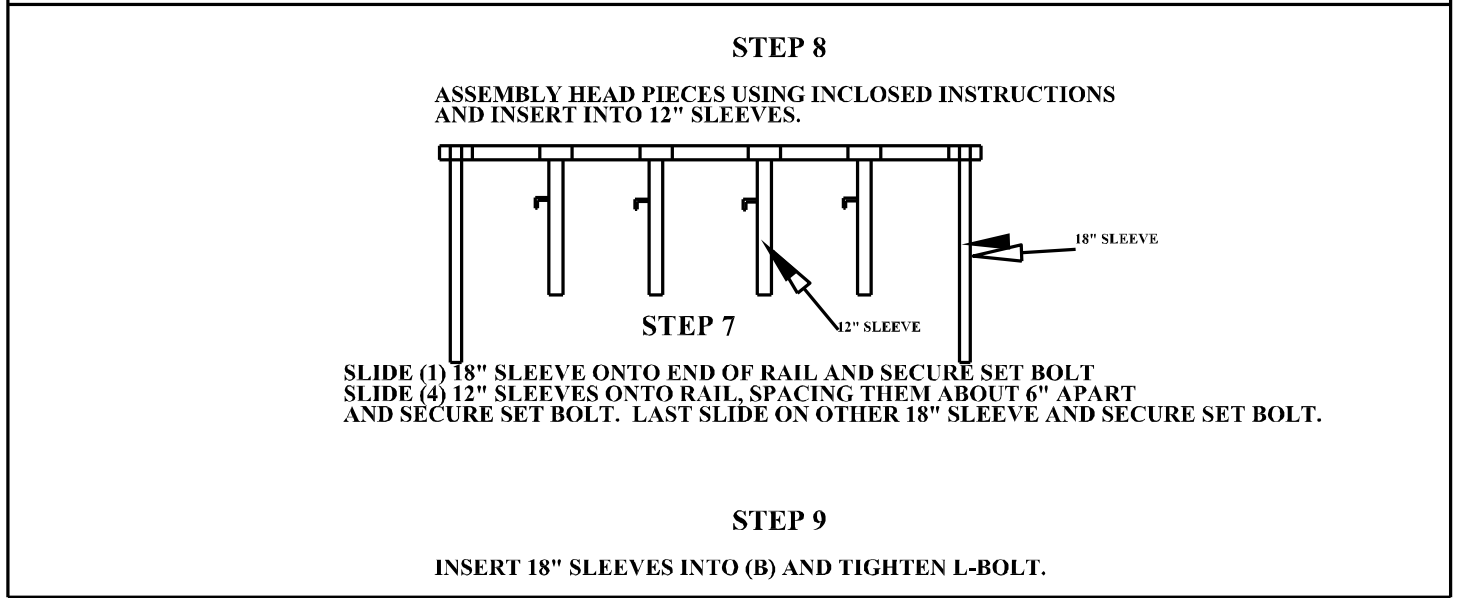
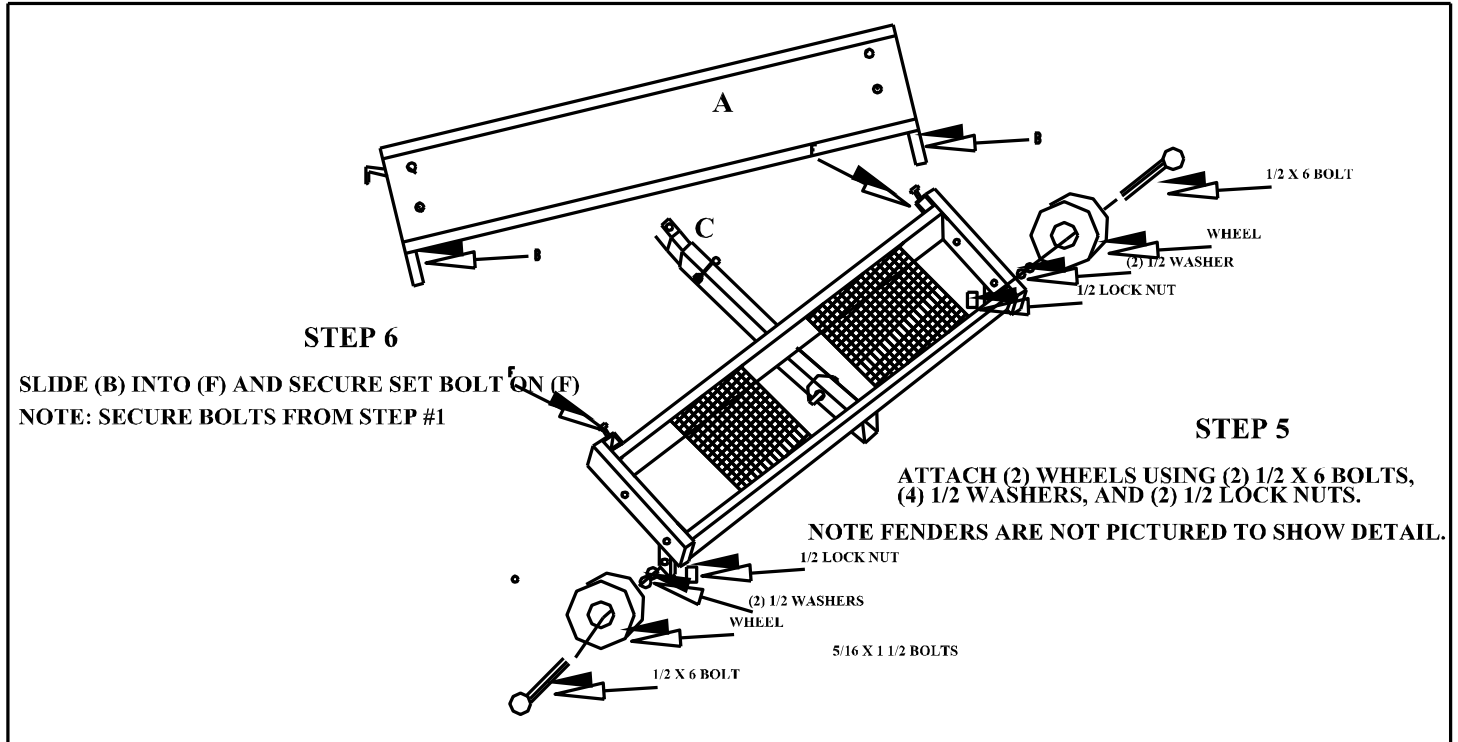
ATTACH FENDERS TO BASE USING (4) 5/16 X 1 1/2 BOLTS  
(4) 5/16 WASHERS, AND (4) LOCK NUTS.

- (2) WHEELS
- (2) 1/2 X 6" BOLTS
- (2) 1/2" LOCK NUTS
- (4) 1/2" WASHERS
- (4) 5/16 X 1/2" BOLTS
- (4) 5/16 X 1 1/2" BOLTS
- (1) 5/16 X 2" BOLTS
- (9) 5/16" LOCK NUTS
- (4) 5/16" WASHERS
- (1) LINCH PIN

## PARTS LIST

- (1) BASE
- (1) FRONT SHIELD
- (1) 48" RAIL
- (1) 48" TONGUE EXTENSION
- (1) TONGUE
- (2) FENDERS
- (4) 12" SLEEVES
- (2) 18" SLEEVES
- (4) HEADPIECES
- (1) BOLT PACKAGE
- (2) SLEEVES W/ WASHERS

# CHARIOT INSTRUCTIONS CONT.



**SYDELL INC.**  
 46935 SD Hwy. 50  
 Burbank, SD 57010  
 (605) 624-4538  
[www.sydell.com](http://www.sydell.com)  
 email: sydell@sydell.com