



#780 HYDRAULIC STAND ASSEMBLY INSTRUCTIONS



PARTS LIST

SET OUT ALL THE PARTS AND MAKE SURE YOU HAVE RECEIVED ALL THE PARTS BEFORE ASSEMBLING



1-DECK



1-WELDED LEGS



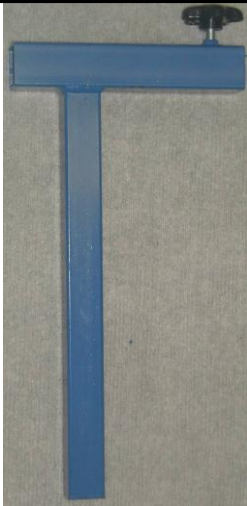
2-LEGS



1-JACK PLATE



1-AXLE



**1-NECK
SLEEVE**



**1-JACK
SLEEVE**



**1-JACK
HANDLE**



2-WHEELS



1-#733



**1-HYDRAULIC
JACK**



**3-STAR
KNOBS**



1-#731-L



1-HOSE CLAMP



BOLTS
2-1/2" X 5" GR8
4-1/2" X 2 3/4" GR8
1-7/16" X 2 1/2"

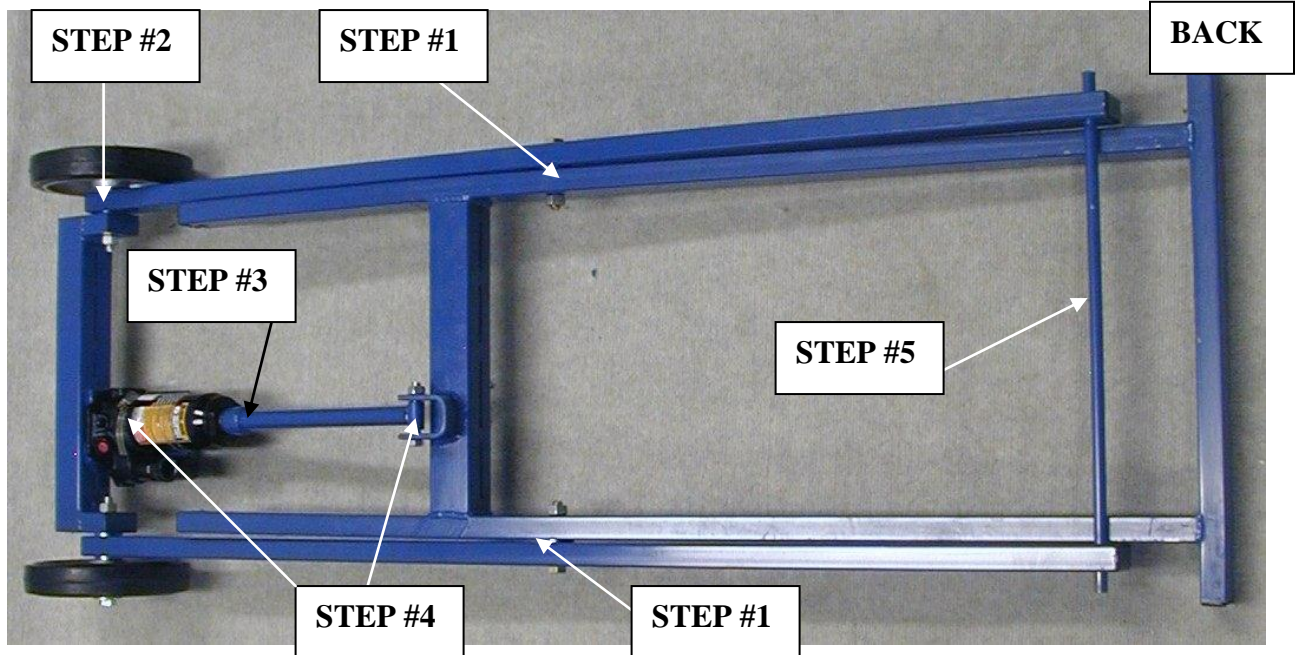


NUTS
6-1/2" LOCK NUTS
1-7/16" LOCK NUTS

WASHERS
10-1/2" WASHERS



#780-HYDRAULIC STAND ASSEMBLY INSTRUCTIONS STEPS 1-5



Do not tighten any bolts until after Step #5

STEP #1

Attach the (2) **legs** to the **welded legs** using (2) $\frac{1}{2}$ " x $2\frac{3}{4}$ " gold bolt, (2) $\frac{1}{2}$ " flat washers, and (2) $\frac{1}{2}$ " lock nuts. (See Diagram A)

Note: Do not tighten bolts at this time. In addition notice the distance between the legs in the back to make sure you have the (2) **legs** in the right direction.

STEP #2

Attach the (2) **wheels** to the (2) **legs** and the **jack plate** using (2) $\frac{1}{2}$ " x $4\frac{1}{2}$ " bolts, (6) $\frac{1}{2}$ " flat washers, and (2) $\frac{1}{2}$ " lock nuts. (See Diagram B)

STEP #3

Slide the **jack sleeve** into the hydraulic jack as shown (See Diagram C)

Diagram A

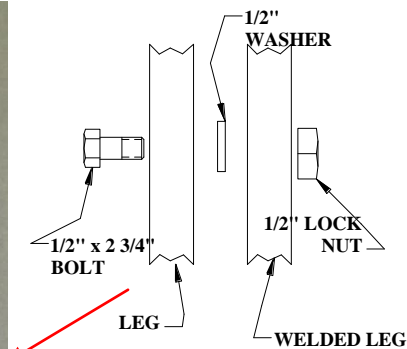
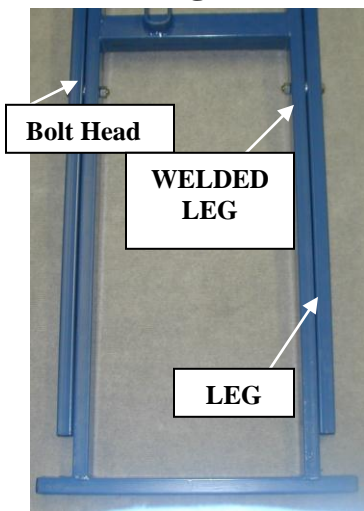


Diagram B

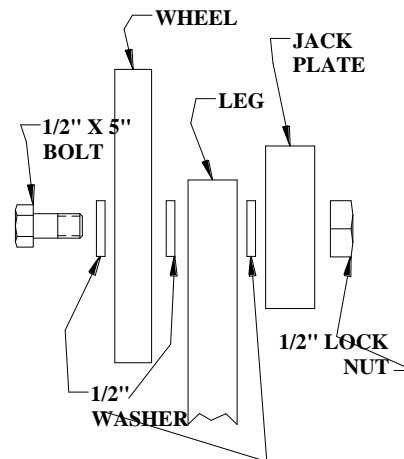


Diagram C



- Note distance between the back of the legs and welded legs
- Note two holes on leg should be towards the wheels (on opposite end (not pictured)).



#780-HYDRAULIC STAND ASSEMBLY INSTRUCTIONS



STEP #4

Attach the **jack sleeve** to the **welded legs** using (1) 7/16" x 2 1/2" bolt, and (1) 7/16" lock nut. Next lay the **hydraulic jack** into the **jack plate** and attach it using the **hose clamp**. (See Diagram D and E)

STEP #5

Slide the **axel** through both of the **legs**. Make sure there is even spacing on each side. (See Diagram F)
Tighten all bolts, then back of 1/2 turn so parts can move freely

Diagram D

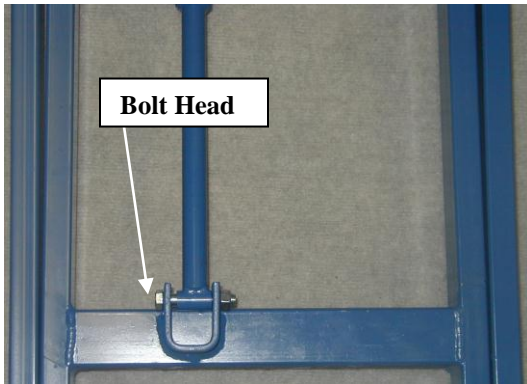


Diagram E

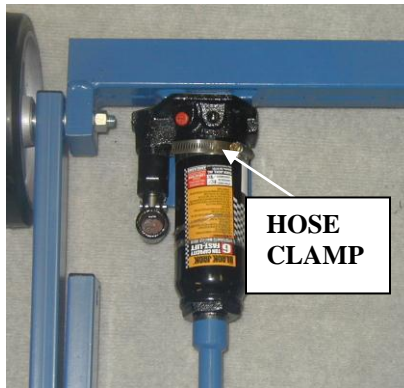


Diagram F



Note: The bolt head needs to be on the left side as pictured

Do not over tighten hose clamp as the jack needs to be able to move slightly.

STEPS 6-10

STEP #6

Slide the **deck** from the front to the back making sure that the **axel** slides into the track. Next attach the front of the **deck** to the **legs** using (2) 1/2" x 2 3/4" gold bolt, (2) 1/2" flat washers and (2) 1/2" lock nuts. (See Diagram G)
Tighten bolts and back off 1/2 turn, so parts can move freely

STEP #7

Slide the **neck sleeve** into the **deck** and tighten (2) set knobs (See Diagram G)

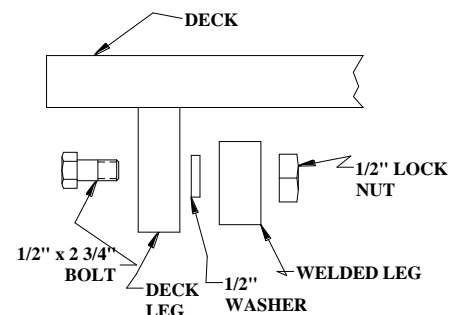
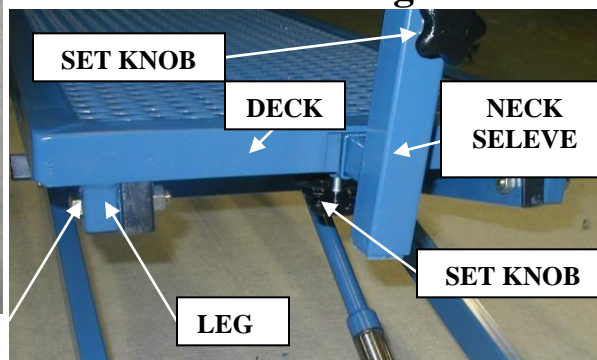
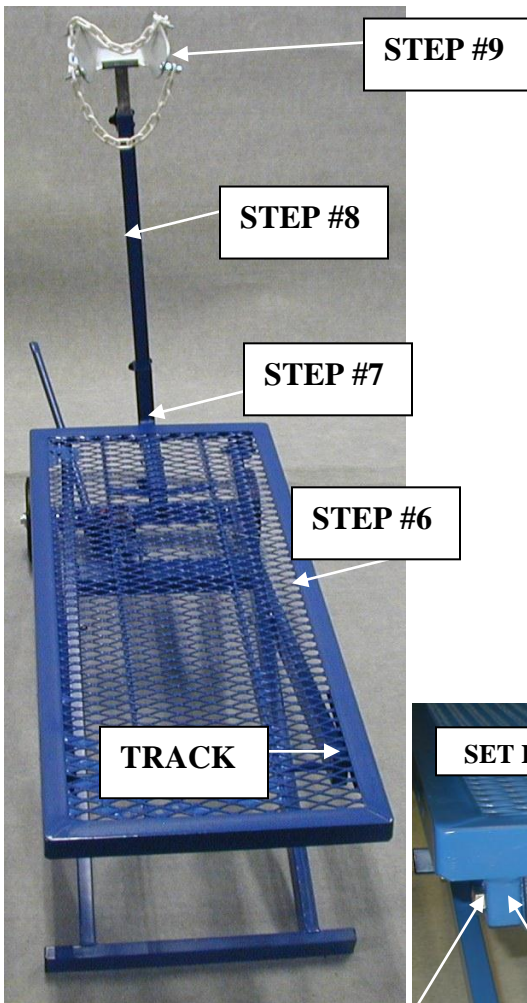
STEP #8

Slide the **#733 neck reach** into the **neck sleeve** and tighten set knob.

STEP #9

Assemble the chain kit onto the **#731 headpiece** using the enclosed instructions. Then slide the **#731 headpiece** into the **#733 neck reach** and tighten set knob.

Diagram G



BOLT HEAD