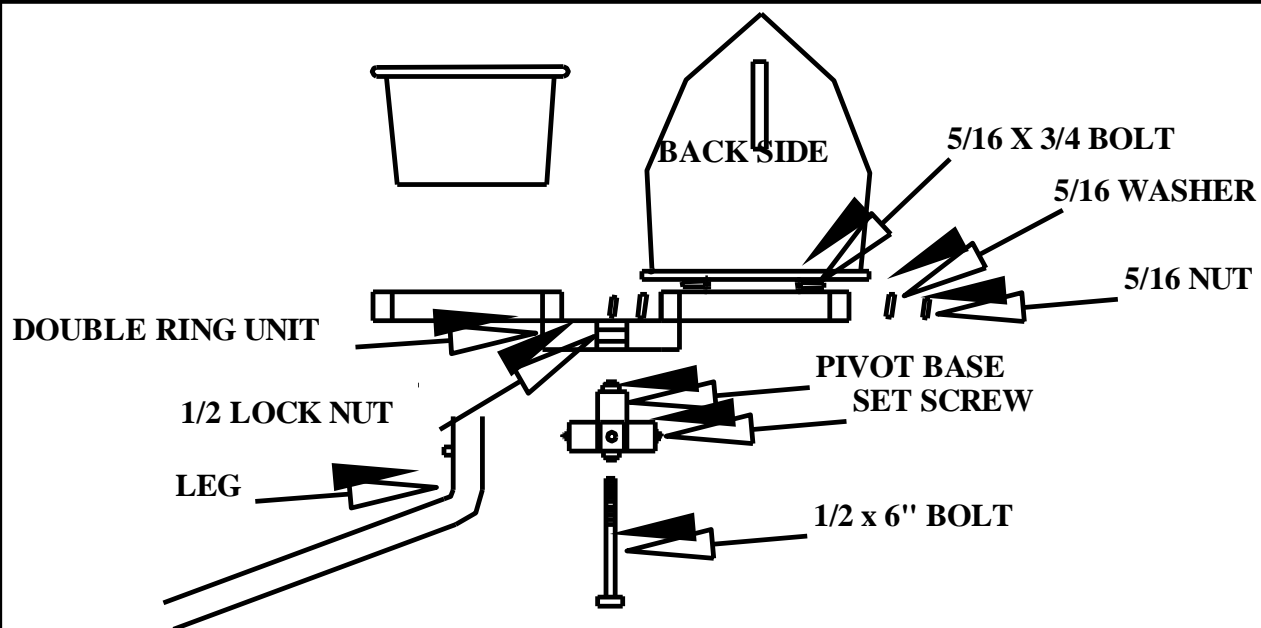


# ASSEMBLY INSTRUCTION FOR #800B DOUBLE SALT AND MINERAL FEEDER



## STEP 1

ASSEMBLE PIVOT BASE TO DOUBLE RING BASE USING 1/2 X 6" BOLT. SCREW BOLT INTO 1/2 LOCK NUT THAT IS WELDED IN THE DOUBLE RING BASE

## STEP 2

ATTACH (4) LEGS TO PIVOT BASE AND SECURE SETSCREWS

## STEP 3

ATTACH (2) FORMED HOODS TO DOUBLE RING BASE USING (4) 5/16 X 3/4 BOLTS, TWO-WAY NUTS AND WASHERS FOR EACH HOOD.

## STEP 4

PAILS CAN BE INSERTED IN RINGS ON DOUBLE RING BASE.

## PARTS LIST

2-HOODS WITH HOLES DRILLED  
2-#222F 10 QT PAILS  
1-DOUBLE RING BASE  
1-SPINDLE  
1-1/2 X 6" BOLT  
4-LEGS  
8-5/16 X 3/4 BOLTS  
8-5/16 FLAT WASHERS  
8-5/16 TWO-WAY NUTS  
2-BEARINGS  
1-SET OF INSTRUCTIONS



## SYDELL INC.

46935 SD Hwy. 50  
Burbank, SD 57010  
(605) 624-4538  
[www.sydell.com](http://www.sydell.com)  
email: [sydell@sydell.com](mailto:sydell@sydell.com)