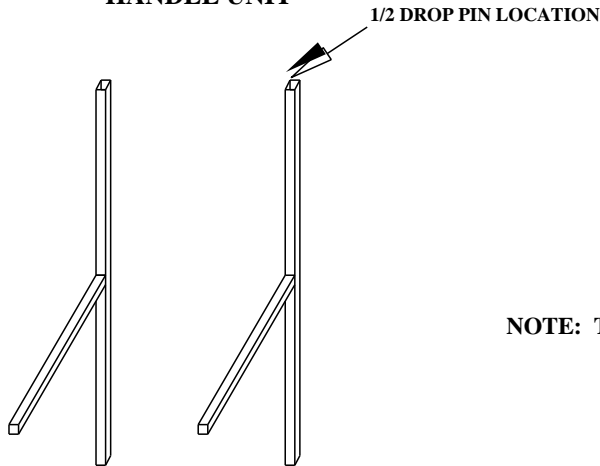


ASSEMBLY INSTRUCTIONS FOR #933 WHEEL KIT FOR #930 & #1003

HANDLE UNIT



STEP #1

SLIDE THE CROSS SUPPORT ONTO THE HANDLE UNIT AND SECURE WITH SET BOLT.

STEP #2

ATTACH THE HANDLE UNIT TO THE #930 OR #1003 USING (2) 1/2 X 42" DROP PINS (NOTE PICTURE).

STEP #3

ATTACH THE WHEEL FRAME SUPPORT TO THE WHEEL UNIT USING (2) 5/16 X 2 1/2" BOLTS, AND (2) 5/16 LOCK NUTS.

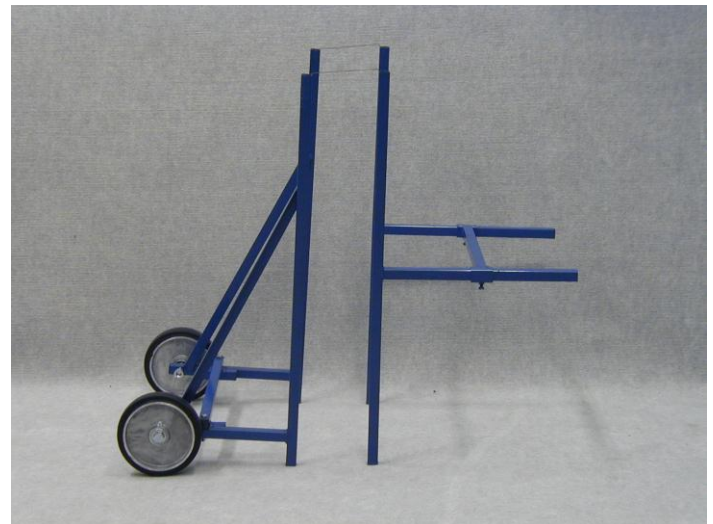
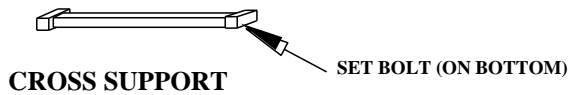
STEP #4

ATTACH 8" WHEELS TO WHEEL UNIT USING (2) 5/8 X 4 1/2" BOLTS AND (2) 5/8 LOCK NUTS.

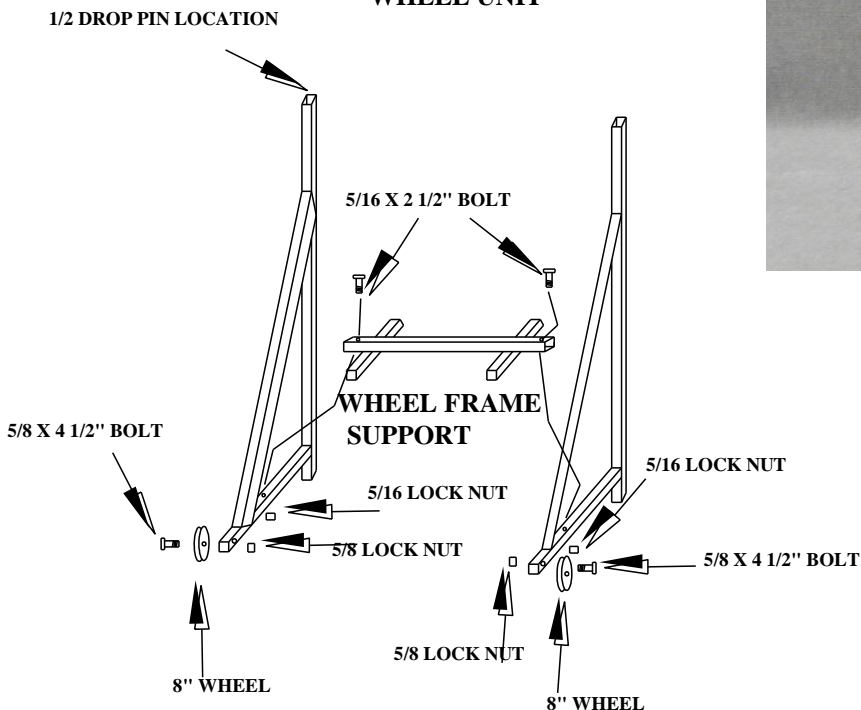
NOTE: TO NOT OVER TIGHTEN WHEELS MUST MOVE FREELY

STEP #5

ATTACH WHEEL UNIT TO #930 OR #1003 USING (2) 1/2 X 42" DROP PINS (NOTE PICTURE).



WHEEL UNIT



PARTS LIST

- (4) 1/2 X 42" DROP PINS
- (2) WHEEL UNIT FRAMES
- (1) WHEEL FRAME CROSS SUPPRT
- (2) 8" WHEELS
- (2) 5/8 X 4 1/2" BOLTS
- (2) 5/8 LOCK NUTS
- (2) 5/16 X 2 1/2" BOLTS
- (2) 5/16 LOCK NUTS
- (2) HANDLE UNITS
- (1) CROSS SUPPORT

SYDELL INC.

46935 SD Hwy. 50
Burbank, SD 57010
(605) 624-4538

www.sydell.com

email: sydell@sydell.com