

# ASSEMBLY INSTRUCTIONS FOR #804 & #805 SALT AND MINERAL FEEDERS

## STEP #1

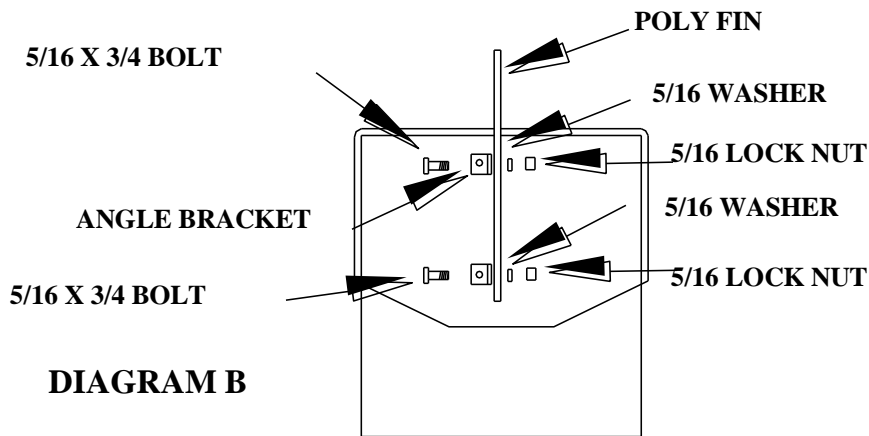
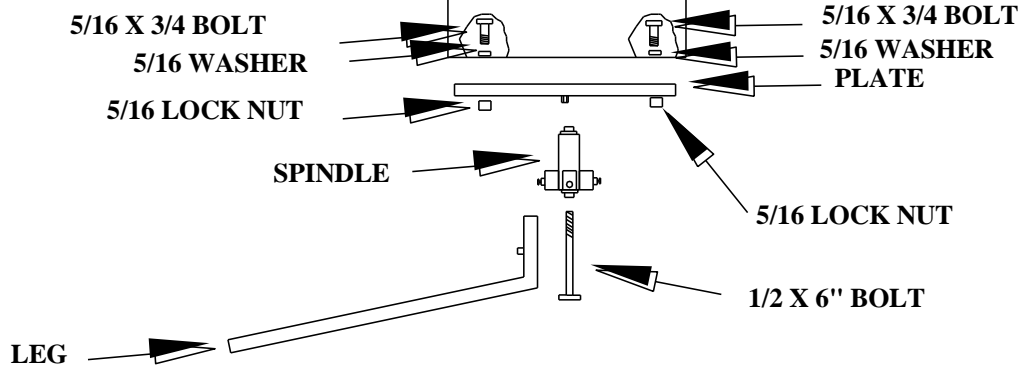
ATTACH PIVOT BASE TO BOTTOM SUPPORT WITH (1) 1/2 X 6" BOLT. SCREW BOLT INTO 1/2" LOCK NUT WELDED ON BOTTOM SUPPORT.

## STEP #2

SLIDE EACH LEG INTO SQUARE TUBING ON PIVOT BASE AND SECURE WITH SET BOLT.

## STEP #3

ATTACH FIN USING ANGLE BRACKETS AND (4) 5/16 X 3/4" BOLTS, (4) LOCK NUTS AND (4) 5/16 WASHERS. (SEE DIAGRAM B)



## PARTS LIST

- (8) 5/16 X 3/4 BOLTS
- (8) 5/16 WASHERS
- (8) 5/16 LOCK NUTS
- (2) ANGLE BRACKETS
- (1) BOTTOM SUPPORT
- (1) SPINDLE
- (2) BEARINGS
- (1) 1/2 X 6" BOLT
- (4) LEGS
- (1) POLY TUB
- (1) POLY FIN



## SYDELL INC.

46935 SD Hwy. 50

Burbank, SD 57010

(605) 624-4538

[www.sydell.com](http://www.sydell.com)

email: [sydell@sydell.com](mailto:sydell@sydell.com)